

AMP AMP Connect

MAIN MENU HELP
FAMILIES REGISTRATION

Alphabetical Picture Part Number
SEARCH SEARCH SEARCH

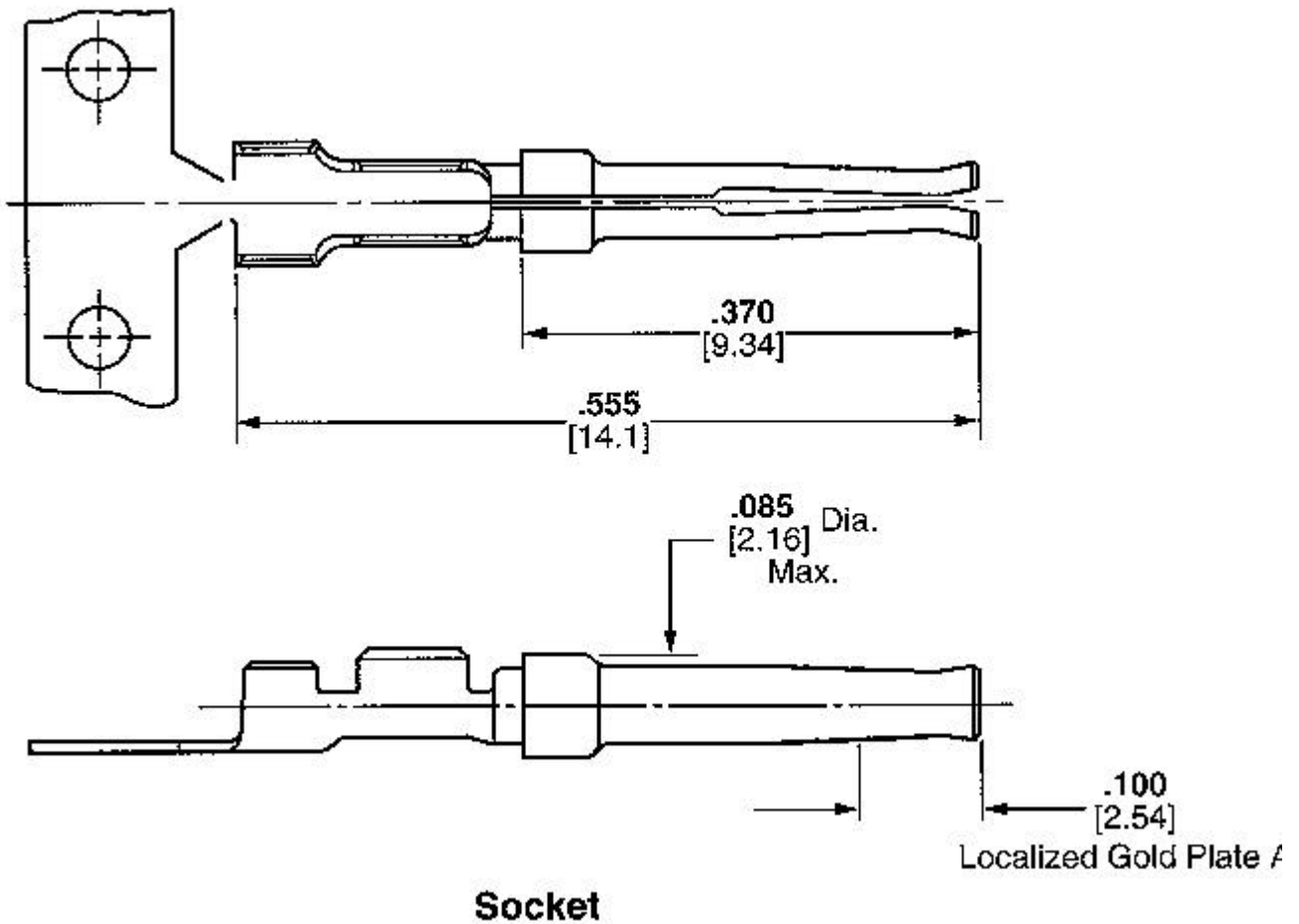
Go To Step Search™ Screen

1-66504-0 -- 1 of 1 products

AMPLIMITE Subminiature D Connectors
AMPLIMITE Subminiature D Cable Connectors

- General **INFO**
- Sales **INFO**
- Customer Drawings **SPECIFICATIONS**

Please use Customer Drawing or CAD file for design activity; line art and other pictures are general representations of product dimensions.



Line art represents typical product only.

<i>Searchable Features:</i>	
Product Type	Contact
Pin/Socket	Socket
Wire Termination Type	Crimp
Wire Range	24-20 [0.2-0.6 ²] AWG [mm]
Wire Insulation Diameter	.050 [1.27] Max. in. [mm]
Mating Connector Lock	Without
Contact Mating Area Plating	Gold Flash
Contact Size	20
Insulation Support	Yes
Product Series	HDP-20
Grade	Standard
<i>Other Properties:</i>	
Contact Retention in Housing	Snap-In
Contact Material	Phosphor Bronze
Solder Tail Plating	Nickel
Packaging Method	Loose Piece
CERTI-CRIMP Hand Tool	90302-1
CERTI-CRIMP Hand Tool Color Code	Red Dot
PRO-CRIMPER II Hand Tool	58448-2
Used With	CPC Connectors

[[Main Menu](#) | [Help](#) | [Family Search](#) | [Registration](#) | [Feedback](#)]
[Top of Page](#)